

SMD Power Inductor(MGCDRH Series) 贴片功率电感 MGCDRH 系列

FEATURES 特点

- Excellent solderability and high heat resistance.
良好的可焊性
- Low cost and packed in embossed carrier tape.
低成本编带包装
- Magnetically shielded construction.
磁屏蔽结构



APPLICATIONS 应用

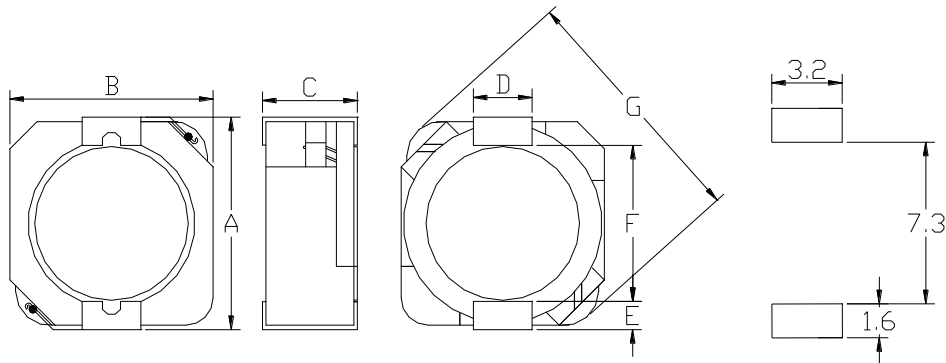
- Ideally used in Mobilephone,PDA,MP3,MDSC/DVC,Portable DVD, etc as DC-DC Converter.
用于移动电话、PDA、MP3、影碟机、便携式DVD、DC-DC转换等。

Product Identification 产品标识

MGCDRH 104 - 100 N : LF
① ② ③ ④ ⑤

- ① Series name 系列名称
- ② Product dimensions 产品尺寸: (10.3*10.5*4.0 mm)
- ③ Inductance Value 电感量: (3R3:3.3uH 100:10uH; 101:100uH)
- ④ Inductance Tolerance 电感量公差: (K:10%; M:20%; N:30% or 25%)
- ⑤ Lead free products 无铅产品

Shapes And Dimensions 外形及尺寸示意图



Series	Dimensions(mm)						
	A(max.)	B(max.)	C(max.)	D	E	F	G(max.)
MGCDRH104	10.5	10.3	4.0	3.0	1.2	7.7	13.5
MGCDRH105	10.5	10.3	5.1	3.0	1.2	7.7	13.5

SMD Power Inductor(MGCDRH Series) 贴片功率电感 MGCDRH 系列

Electrical Characteristics 电气性能

MGCDRH104 Series

Part Number	L±30% (uH)	DCR max. (Ω)	Isat (A)	Irms (A)
MGCDRH104-1R5N-LF	1.5	0.008	10.00	6.50
MGCDRH104-2R5N-LF	2.5	0.011	7.50	6.10
MGCDRH104-3R8N-LF	3.8	0.013	6.00	5.50
MGCDRH104-4R7N-LF	4.7	0.022	5.50	5.40
MGCDRH104-6R8N-LF	6.8	0.027	4.80	4.50
MGCDRH104-100N-LF	10	0.035	4.40	3.80
MGCDRH104-150N-LF	15	0.050	3.60	3.10
MGCDRH104-220N-LF	22	0.073	2.90	2.50
MGCDRH104-330N-LF	33	0.093	2.30	2.20
MGCDRH104-470N-LF	47	0.128	2.10	1.90
MGCDRH104-680N-LF	68	0.213	1.50	1.42
MGCDRH104-101N-LF	100	0.304	1.35	1.25
MGCDRH104-151N-LF	150	0.506	1.15	0.85
MGCDRH104-221N-LF	220	0.756	0.92	0.70
MGCDRH104-331N-LF	330	1.090	0.70	0.52

MGCDRH105 Series

Part Number	L±30% (uH)	DCR max. (Ω)	Isat (A)	Irms (A)
MGCDRH105-100N-LF	10	0.026	4.45	4.50
MGCDRH105-150N-LF	15	0.041	3.60	3.40
MGCDRH105-180N-LF	18	0.046	3.20	3.10
MGCDRH105-220N-LF	22	0.061	2.95	2.90
MGCDRH105-330N-LF	33	0.084	2.40	2.50
MGCDRH105-390N-LF	39	0.106	2.30	2.25
MGCDRH105-470N-LF	47	0.130	2.00	2.00
MGCDRH105-680N-LF	68	0.201	1.65	1.60
MGCDRH105-820N-LF	82	0.227	1.50	1.45
MGCDRH105-101N-LF	100	0.253	1.35	1.35
MGCDRH105-121N-LF	120	0.303	1.28	1.18
MGCDRH105-151N-LF	150	0.370	1.12	1.10
MGCDRH105-181N-LF	180	0.419	1.04	1.00
MGCDRH105-221N-LF	220	0.500	0.94	0.94
MGCDRH105-271N-LF	270	0.672	0.84	0.80
MGCDRH105-331N-LF	330	0.812	0.75	0.73

1. Test frequency at 100 KHz.
2. Isat: DC current at which the inductance drops 35% from its value without current
3. I rms: Current that causes a 40°C temperature rise from 25°C ambient